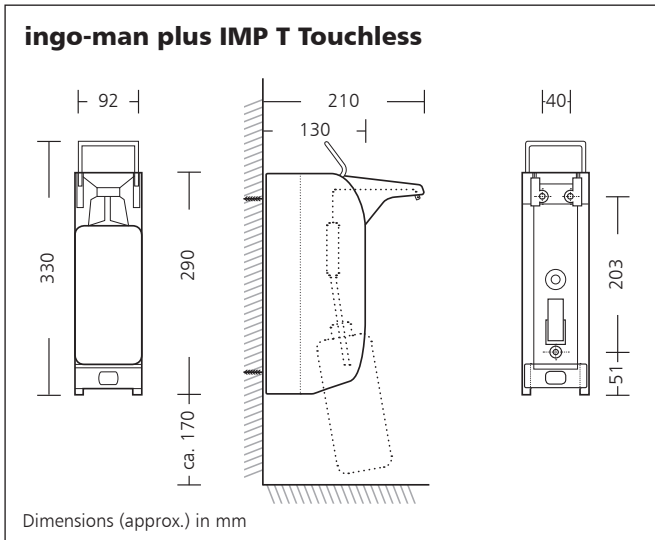


# ingo-man® plus IMP T Touchless

dispenser for soap and disinfectant • aluminium  
with exchangeable pump • front removal  
touchless • for disposable bottles, refillable



Ophardt Hygiene-Technik GmbH + Co. KG  
Lindenau 27 • D-47661 Issum  
Tel.: +49 2835 18-0 • Fax: +49 2835 18-77  
E-Mail: info@ophardt.com • www.ophardt.com

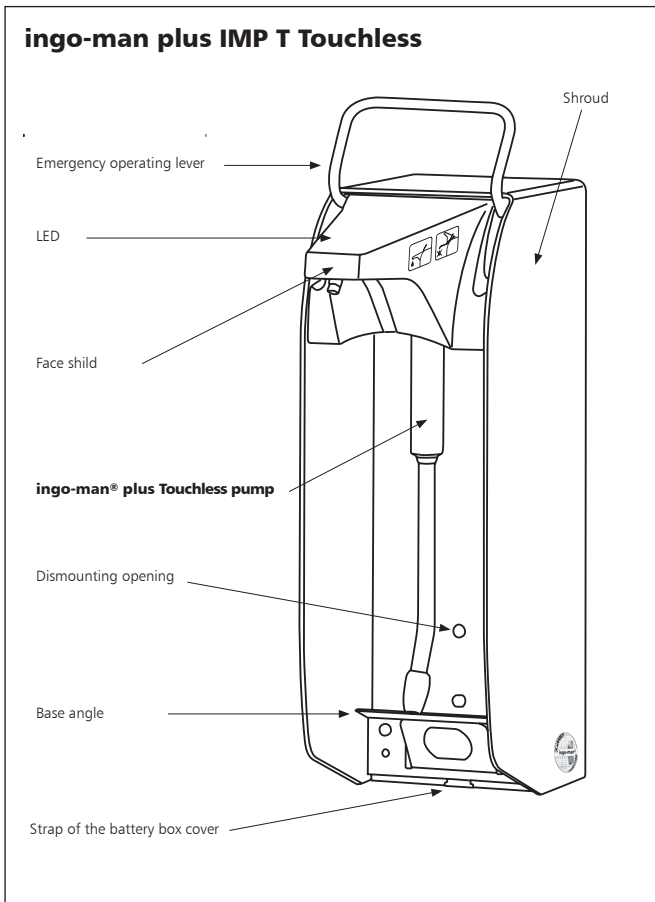


## Dispenser for soap and disinfectant

- ▶ dispenses alcoholic disinfectants, liquid soaps, washing up liquids, lotions etc
- ▶ ideal for hospitals and medical domains
- ▶ disposable 1000 ml bottle
- ▶ with exchangeable pump
- ▶ removable face shield for easy pump exchange by front, without to remove the dispenser from the wall

## Technical Data

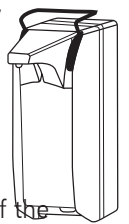
Housing: Aluminium, silver anodized  
Dosing pump: Stainless steel pump, bended suction pipe, autoclavable to 134°C, 2 bar,  
Dosing: Dosage adjustable at approx. 0,7ml/1,0ml/1,2 ml/1,5 ml (in dependence on Viskosity of the product)  
Emergency lever: Stainless steel  
Wall mounting: with four plugs und steel screws



## Description for tender

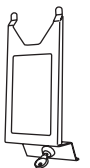
### ingo-man® IMP T Touchless Art-No. 1415524

..... pcs. dispenser for soap and disinfectant, 1000 ml, aluminium, silver anodized, inclusive one bottle and 5 pieces Alkaline D-batteries, touchless, approximation sensor, release from above, and also from below, stainless steel pump, for cleaning of the pump remove it without mounting tools quick and easy backwards out of the dispenser - insert in vice versa per "push and click"-system  
Dimensions: W 92 x H 330 x D 210 mm



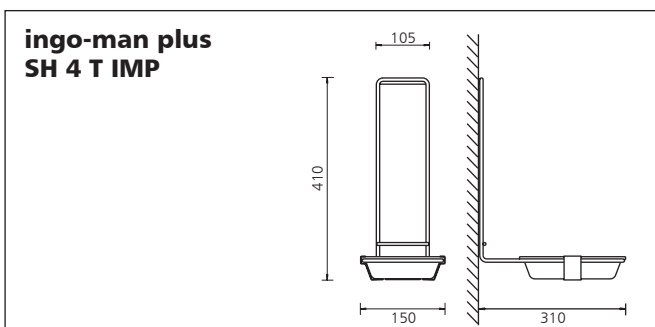
### ingo-man® plus VF T IMPT T A Art-No. 2400076

..... pcs. locking plate for IMP T Touchless, incl. lock and key, with window, material aluminium silver anodized



### ingo-man® plus SH 4 T IMP Art-No. 1416600

..... pcs. drip tray for IMP T Touchless, for hanging over the dispenser housing with removable plastic dish, bracket made of stainless steel



Product: ingo-man® plus  
Manufacturer: OPHARDT HYGIENE-TECHNIK GmbH + Co. KG

Technical modifications reserved.  
New types of disinfectants or soaps must be tested!